

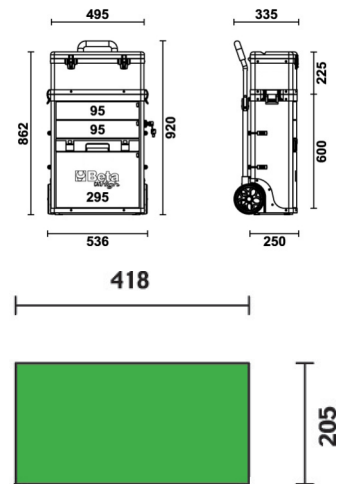
C41H


two-module tool trolley

Main features:

- Sheet metal frame and plastic tops, synonymous with remarkable sturdiness and reduced weight.
 - 2 detachable modules:
 - 1 upper tool box,
 - 1 module with 2 drawers 95 mm in height,
 - 1 pull-out case made of plastic, 66 mm high, and 1 drawer 295 mm in height.
 - Oversized castors (160 mm), built into frame for easy transport - for example, on steps.
 - Side centralized lock for closing drawers of lower module.
 - Drawers with ball bearing slides and double closing hook.
 - Telescopic aluminium handle.
 - Small tool holder built into upper tool box.
 - Lower drawer with double ballbearing slide
- Recommended assortments: 5941VU/M, 5940/SBK and 5915VU/5
 * Colours available on request

 21 kg



	art.	
041000002	C41H-O	empty trolley RAL 2011
041000005	C41H-N	RAL 9005
041000006	C41H-B	RAL 5002
041000008	C41H-R	RAL 3000
041000010	C41H-G	RAL 7016
041000012	C41H-Y	RAL 1023
041000021	C41H-W	RAL 9016
041000024	C41H-V	RAL 6016