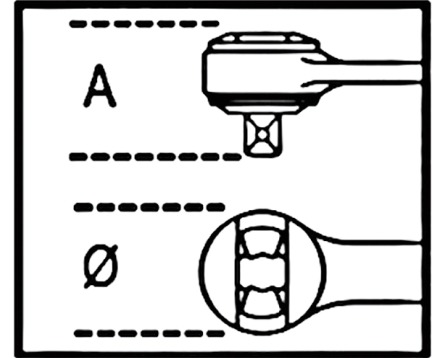


920/56A

1/2" drive swivel reversible ratchet, 72 teeth



Take-up angle: 5°



	art.	L mm	Ø mm	A mm		 g
009200911	920/56A	315	40	43	1/2	611

