

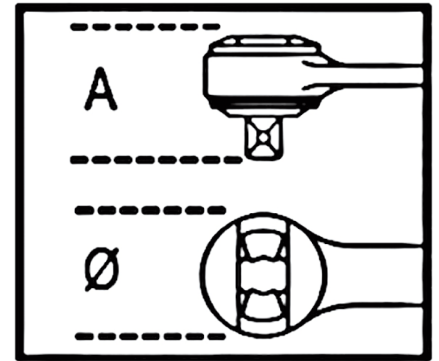
920/50F

1/2" female square drive ratchet, 72 teeth



UNI/ISO 3315 DIN 3122

Take-up angle: 5°



	art.	L mm	Ø mm	A mm	□	g
009200889	920/50F	275	40	27	1/2	448,6

