

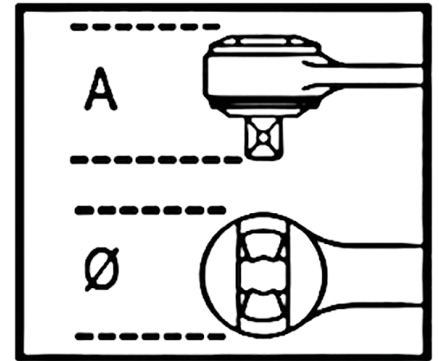
910/55

3/8" drive reversible ratchet 72 teeth



UNI/ISO 3315 DIN 3122

Take-up angle: 5°



	art.	L mm	Ø mm	A mm		 g
009100882	910/55	200	30	33	3/8	238,8

