

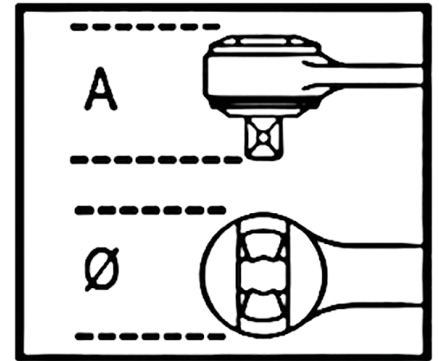
910/55Q

3/8" drive reversible ratchet 48 teeth



UNI/ISO 3315 DIN 3122

Take-up angle: 7,5°



	art.	L mm	Ø mm	A mm		 g
009100885	910/55Q	200	30	33	3/8	246,7

