

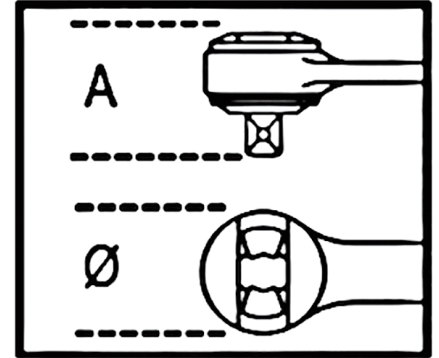
900/55


1/4" drive reversible ratchet, 48 teeth



UNI/ISO 3315 DIN 3122

Take-up angle: 7,5°



	art.	L mm	Ø mm	A mm		 g
009000870	900/55	125	25	29	1/4	90

