
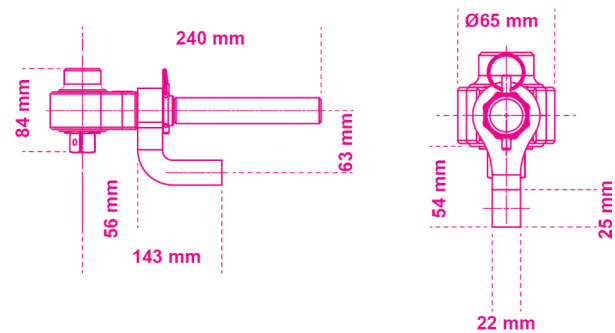


**561/1**
**Torque multiplier for right-hand and left-hand tightening, ratio 5:1, with two reaction feet**

- Supplied with straight lever and 90° foot
- Ideal for use in small areas (body Ø 65 mm)
- Ultralightweight (1.5 kg)
- Measuring range: 100÷1000 Nm
- Female drive: 1/2"
- Male drive outlet: 3/4"
- For right-hand and left-hand tightening
- Torque accuracy: ± 4%

 270x210x70 mm


	art.	Nm	kgfm	lbf.ft			 kg
<b>005610010</b>	561/1	1000	100	740	1/2	3/4	2,7

