

3065/20-10T

## Air hydraulic jack, 20-10 t, with case

CE

Portable and lightweight, ideal for road assistance operations

- Supplied with two extensions, 75 and 60 mm long

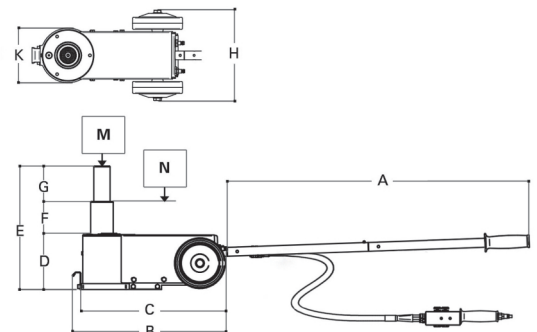
### TECHNICAL DATA

capacity: 20-10 t

weight: 23 kg

power supply pressure: 8-10 bar

air consumption: 400 nl/min



	part number	art.
	030650100	3065/20-10T