

3007

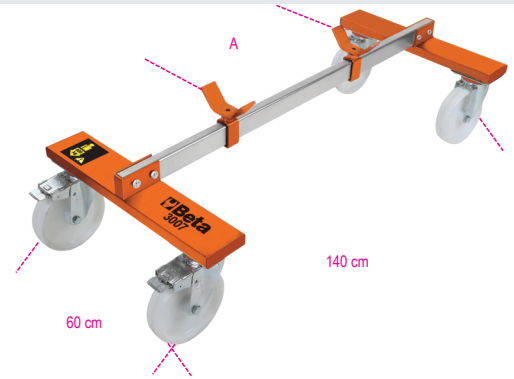
## Underbody trolley for vehicles without forecarriage / rear axle


Allows vehicles without

forecarriage or rear axle to be easily handled while working

- 4 pivoting wheels, including 2 with brakes, suitable for use in painting furnaces
- 2 sliding supports to fit all chassis
- max. capacity: 800 kg

 kg



	art.	A Max mm
030070001	3007	110