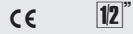


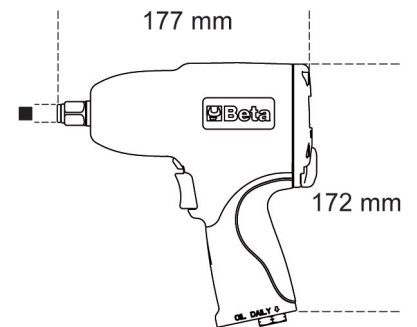
1927B


## Reversible impact wrench



- "Pin Clutch" impulse device
- Rubber handle
- Reversible lever
- Three power adjustable screwing positions
- Exhaust through handle

Free speed	7,000 rpm
Max. torque	705 Nm
Bolt capacity	Cl 8.8 M22●34 mm
Bolt capacity	Cl 12.9 M18●27 mm
Air inlet	1/4" GAS
Operating pressure	6.2 bar
Internal hose size (Ø)	10 mm
Mean air consumption	133 l/min
Weight	2.1 kg



	art.	"	
019270022	1927B	1/2	2,1